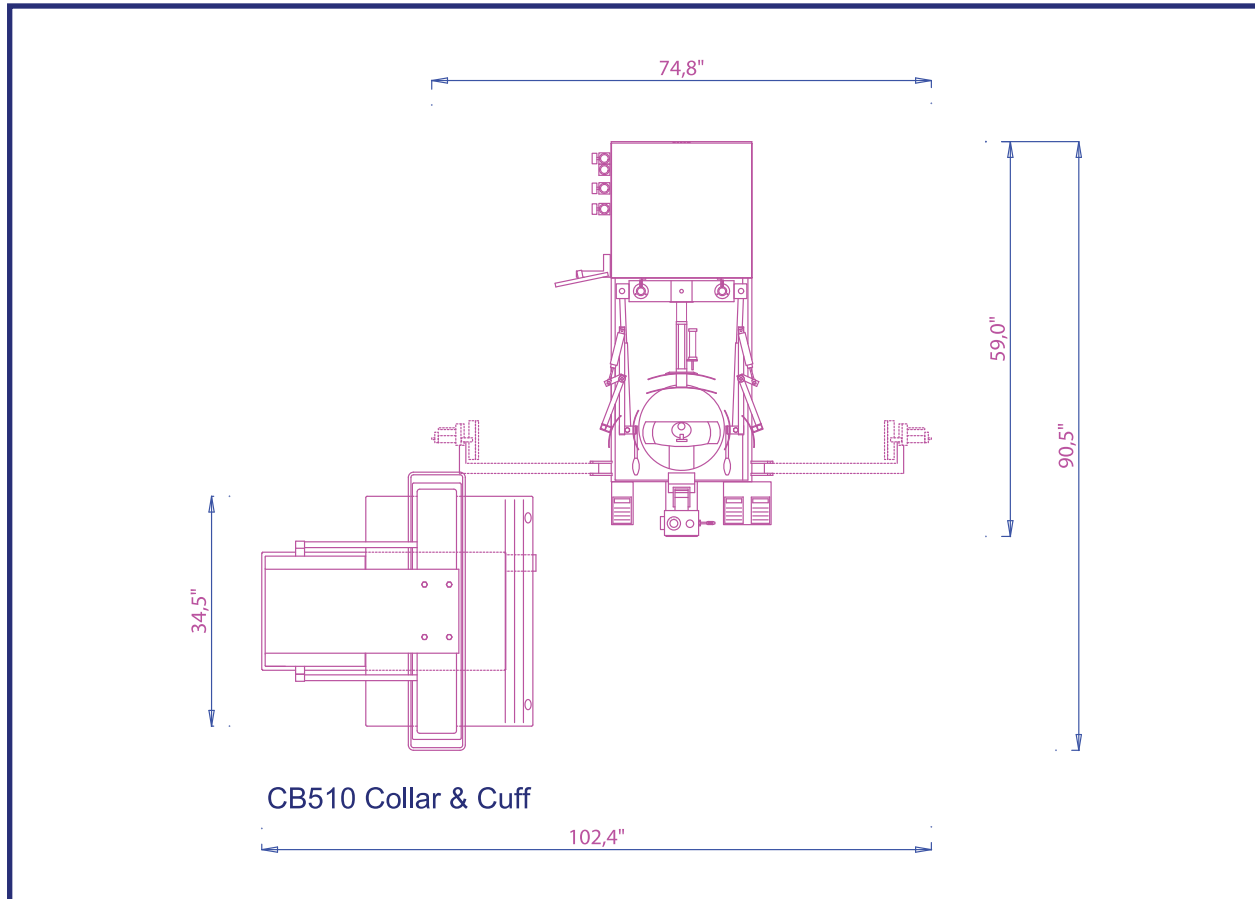




SAM - 451 Tensioning Shirt and Blouse Finisher



Electricity	220V 3PH 20A
Air Pressure	80 PSI
Steam Consumption	44-88 LBS/HR
Machine Size / Arms folded (approximate)	24.0" Wide X 60" Deep
Machine Size / Arms full extended	74.8" Wide X 60" Deep
Net Weight	660 LBS

* Features and Specifications subject to change without notice

EUROPEAN FINISHING EQUIPMENT CORP.

901 PENHORN AVENUE, STE #2, SECAUCUS, N.J. 07094

TELEPHONE: (201) 210-2247 FAX: (201) 210-2549

WEB: WWW.HISTEAM.COM

E-MAIL: SALES@HISTEAM.COM

TOLL FREE: (888) 460-9292